



SPECIFICATIONS

RATING : 5-24V / 1A DC

OPERATING LIFE : 50 MILLION CYCLE MIN.

CONTACT RESISTANCE : 1Ω MAX.

OPERATING TEMPERATURE: -20°C to 65°C.

MATERIALS

BUSHING: Aluminum alloy.

CAP : PC ; Aluminum alloy.

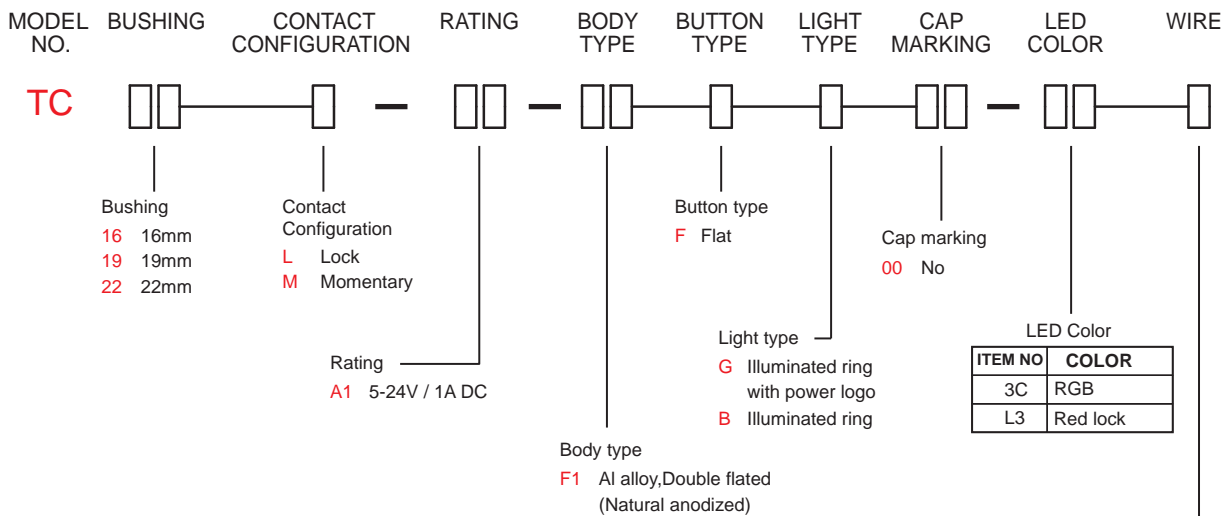
SEALING : Sillicone,EPOXY.

O-RING: Sillicone.

HEX NUT : Nickel plated brass.



HOW TO ORDER



Wire

Available with 16mm Bushing only

D201 26AWG 150mm+2.54 2x3 Connector

D202 26AWG 300mm+2.54 2x3 Connector

Available with 19mm/22mm Bushing only

D101 26AWG 150mm+2.54 1x6 Connector

D102 26AWG 300mm+2.54 1x6 Connector

EXAMPLE:

TC16M-A1-F1FG00-3CD201

TC19M-A1-F1F□00-3CD101

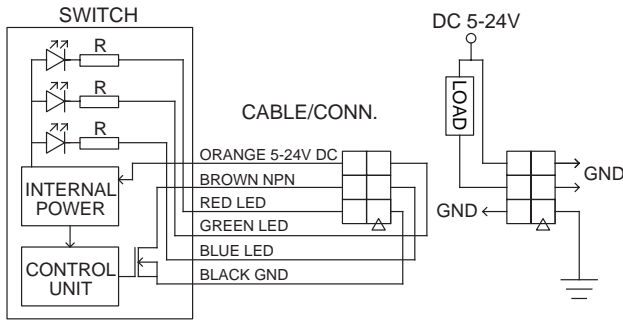
Wire
Light type



CIRCUIT

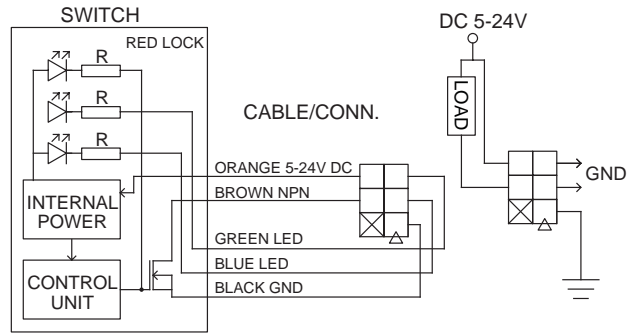
3C color led application diagram

Available with 16mm Bushing only



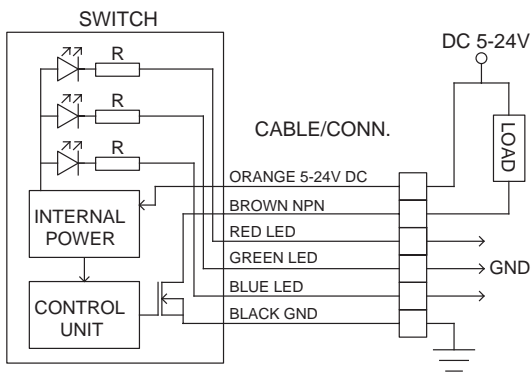
L3 color led application diagram

Available with 16mm Bushing only



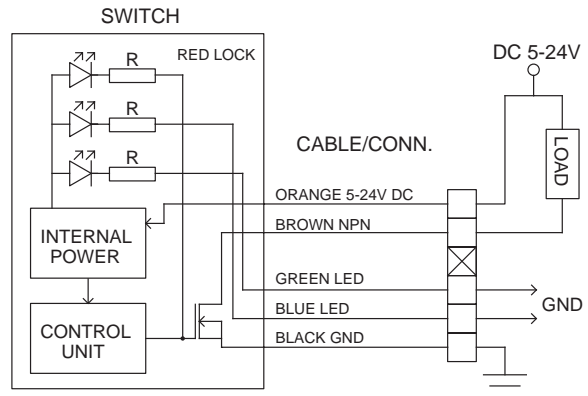
3C color led application diagram

Available with 19mm/22mm Bushing only



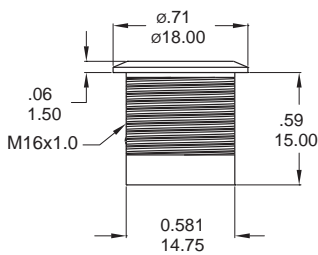
L3 color led application diagram

Available with 19mm/22mm Bushing only

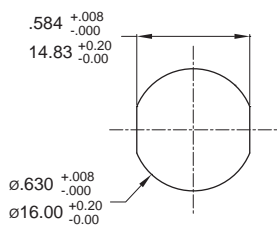


BUSHING

16mm

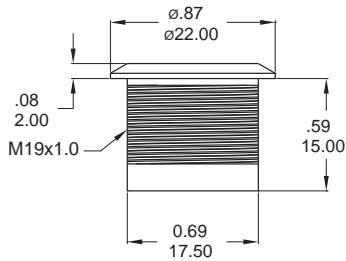


PANEL CUTOUT

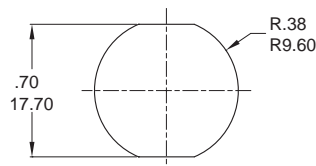


Max. Panel thickness: 8.0mm [.315] (Max.)

19mm

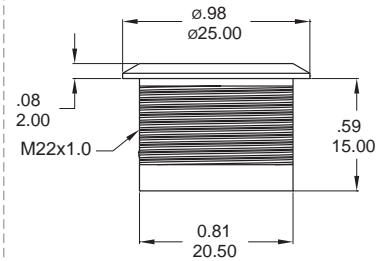


PANEL CUTOUT

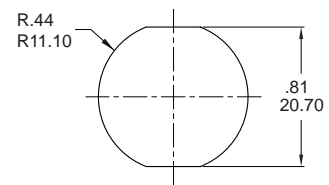


Max. Panel thickness: 10.0mm [.394]

22mm



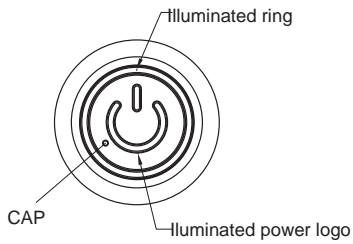
PANEL CUTOUT



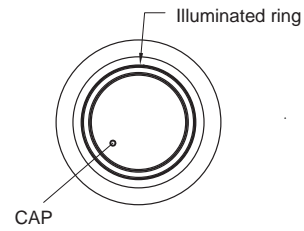
Max. Panel thickness: 10.0mm [.394]

LIGHT TYPE

G Illuminated Ring with Power logo

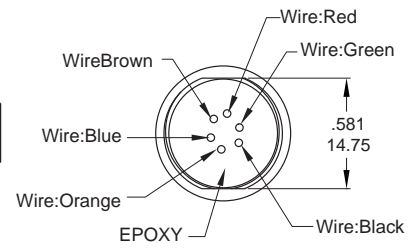
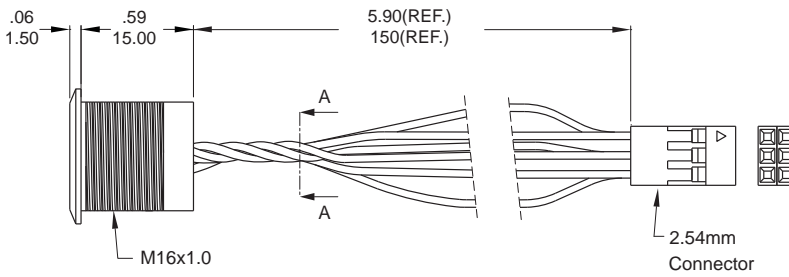


B Illuminated Ring



WIRE

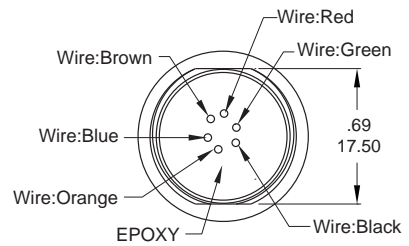
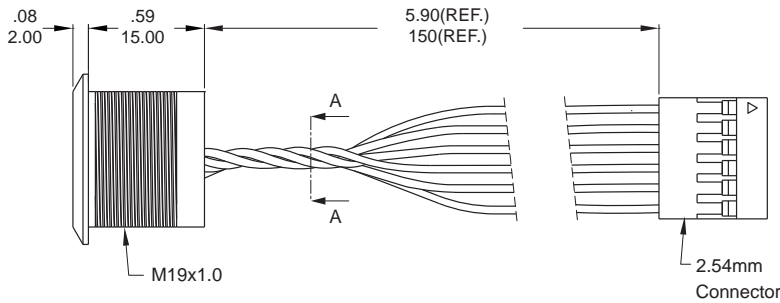
TC16



SECTION A-A

Part No. Shown : TC16□-A1-F1F□00-3CD201

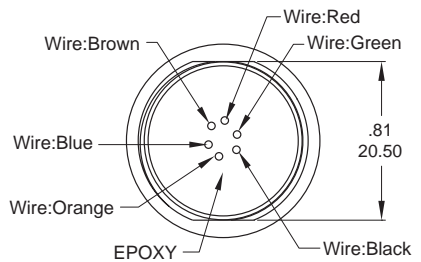
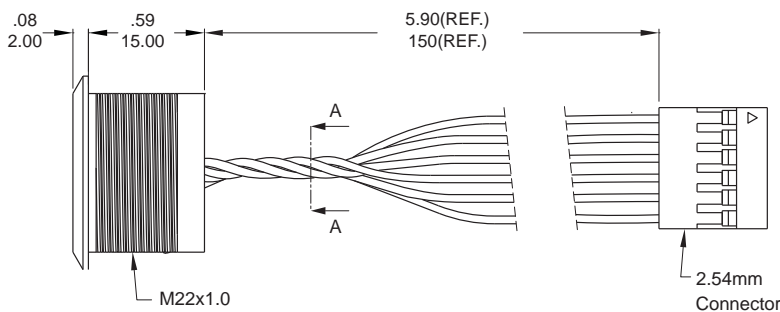
TC19mm



SECTION A-A

Part No. Shown : TC19□-A1-F1F□00-3CD101

TC22



SECTION A-A

Part No. Shown : TC22□-A1-F1F□00-3CD101



TC
Capacitive switches